

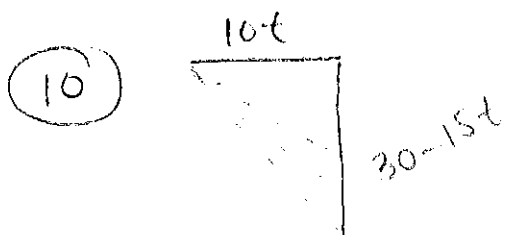
Problem Set Hints

5 Profit = Revenue - Cost
(find max to help answer the 2nd question)

6 Do not do! Dumb question

7 Use what we learned from class

example $\frac{R}{H} = \frac{r}{H-h}$ from similar Δ 's



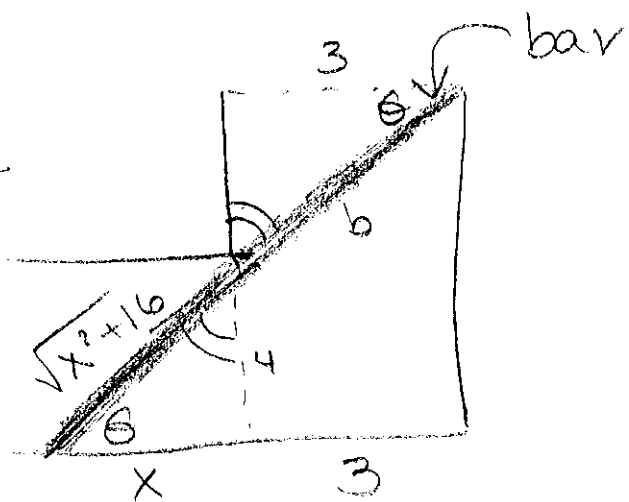
$$d^2 = (30 - 15t)^2 + 10t^2$$

16

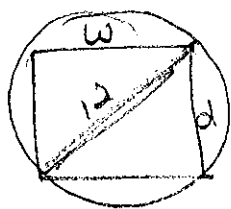
$$\frac{x}{3} = \frac{4}{a} = \frac{\sqrt{x^2 + 16}}{b}$$

$$a = \frac{12}{x}$$

length =



20



$$S = k \cdot w \cdot \sqrt[3]{d}$$

↑
proportional

$$w^2 + d^2 = 144$$